



SOLUXTEC

Quality made in Germany

DIE MODUL MANUFAKTUR
100% MADE IN GERMANY



DAS MODUL Multi Serie



20 year warranty



100% Quality Assurance



Innovative Junction Box



Low carbon footprint



Linear Performance Guarantee



Excellent thermal Properties



Extremely lightweight Design



5400 Pa max load capacity



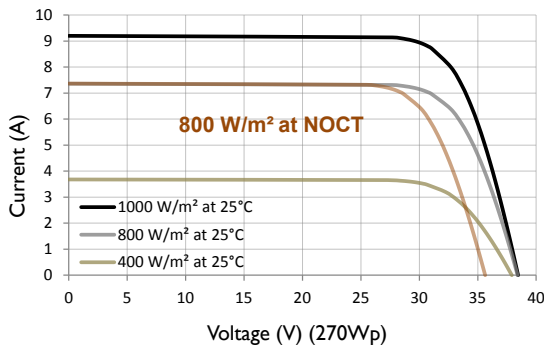
Positive performance Tolerance



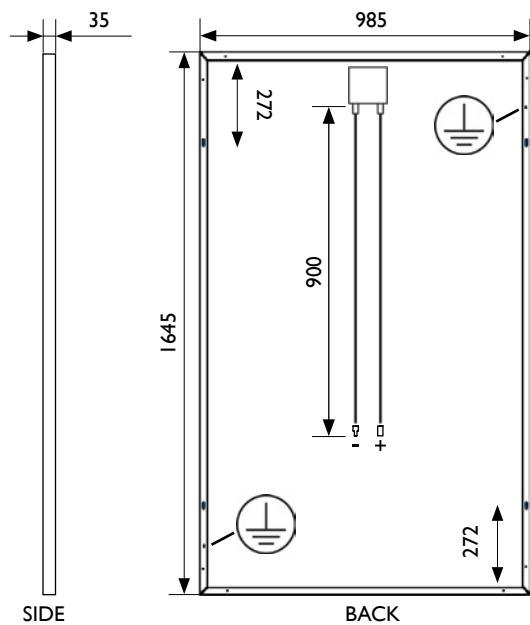
DAS MODUL

Multi Serie

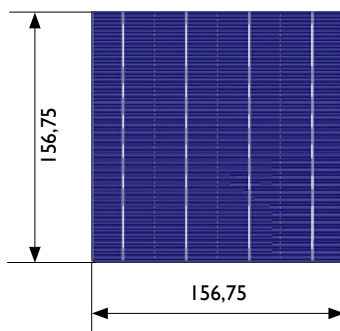
I-V CURVES



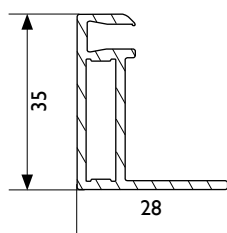
MODULE DIMENSIONS



CELL DIMENSIONS



FRAME DIMENSIONS



ELECTRICAL PERFORMANCE UNDER STANDARD TEST CONDITIONS, 1000 W/m², AM=1.5

Maximum Power	Pmax	Wp	260	265	270
Open Circuit Voltage	Voc	V	38,05	38,25	38,45
Short Circuit	Isc	A	9,05	9,12	9,20
Maximum Power Point Voltage	Vmpp	V	30,60	30,82	31,00
Maximum Power Point Current	Impp	A	8,50	8,60	8,72
Efficiency	%		16,06	16,35	16,65

ELECTRICAL PERFORMANCE UNDER NOCT, 800 W/m², AM=1.5, T=20°C

Maximum Power	Pmax	Wp	192	196	199
Open Circuit Voltage	Voc	V	34,95	35,10	35,40
Short Circuit	Isc	A	7,25	7,35	7,42
Maximum Power Point Voltage	Vmpp	V	28,30	28,60	29,00
Maximum Power Point Current	Impp	A	6,81	6,86	6,88

THERMAL CHARACTERISTICS		COMPONENTS
STC	25°	Cells Number 60
NOCT	45° +/-2	Technology polycrystalline silicon
TC Isc	+0,056%/K	Junction Box IP 67 ventilated
TC voc	- 0,309%/K	Connector MC4
TC Pmpp	- 0,405%/K	Glass tempered+patterned Glass Thickness 3,2 mm

GENERAL CHARACTERISTICS	INTEGRATION CHARACTERISTICS
Module Weight 18 kg	Max. System Voltage 1000 Vdc
Color black / white	Protection Class A
Frame Color black / silver	Operating Temperature Range - 40 ... + 80
Total Thickness 35 mm	Max. Reserve Current 16 A

CERTIFICATIONS

IEC 61215 IEC 61701
EN 61730 LDV 2014/35/EU

PERFORMANCE WARRANTY

Linear
80,20% after 25 years

PRODUCT WARRANTY

20 years

POWER TOLERANCE*

0/+3% auf Pmpp
PFlash > Pmpp



SOLUXTEC
Quality made in Germany

Soluxtec GmbH, Werner von Siemens Str. 25, 54634 Bitburg
Tel.: +49 65 61 69 37 265 Fax: +49 65 61 69 40 521
E-Mail: info@soluxtec.de Web: www.soluxtec.eu

V02_2017

www.soluxtec.eu

This data Sheet complies with the requirements of EN 50380.
Soluxtec reserves the right to make specification changes without prior notice (2017).
* Flasher AAA, Power tolerance measurement of +/- 3%.